



WARN Industrial Winch

Model

Part Number

Motor Type

**Series 18-A-2D
Electric Winch
Manual Clutch**

72005

DC Electric
24 Volt
Series Wound

The Series 18 DC features an extended run time high powered DC motor with a weatherproof industrial contactor and heavy duty remote control. The disc brake is designed for extended power-out use. Designed to meet SAE J706 and CE standards. The motor is protected by a thermal overload switch.

*Remote Control Assembly, 10m included



Accessories

Description:	Part Number
Wire Rope Tension Plate 10"	31149
Fairlead Black 10"	24336
Fairlead Chrome 10"	30859
Remote Clutch Mechanical	38316
Remote Clutch Air	71370
Wire Rope Assembly 1/2"x75' EIPS	77534

Engineering Data

Rated Pulling Force:	18000 lbf	8165 kgf
Drum Barrel Diameter:	4.0 in	102 mm
Drum Flange Diameter:	8.24 in	209 mm
Distance Between Flanges:	9.95 in	253 mm
Recommended Maximum Wire Rope Diameter:	1/2 in	12.7 mm
Recommended Minimum Wire Rope Breaking Strength:	26600 lbf	12066 kgf
Approximate Shipping Weight:	103.0 lb	46.7 kg
Duty Cycle (intermittent per SAE J706 section 6.2):	40 ft	12.2 m
Mounting Bolt Torque:	35 - 40 ft*lbf	47 - 54 N*m
Maximum Layers of Wire Rope:	3 (with 1/2" dia. rope)	
Gear Reduction:	315:1	
Brake Type:	Disk	
Contactor / Remote Type: Industrial contactor with 33' (10m) heavy duty remote		

Drum Rotation



Viewed from Motor End

Standards Compliance

1. -SAE J706
2. -CE Machinery Directive 98/37/EC and 2006/42/EC
3. -CE Electromagnetic Compatibility 2004/108/EC

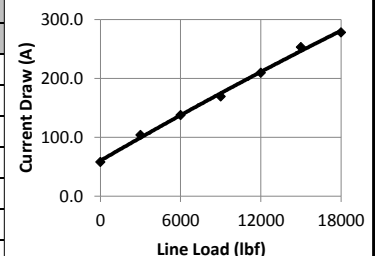
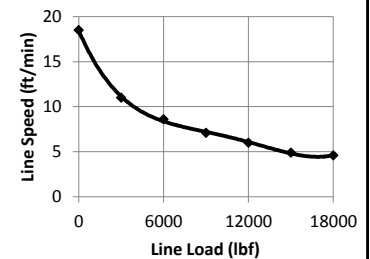
Performance By Layer- 1/2" (12.7 mm) dia. rope

Drum Layer	Line Load *			No Load Line Speed		Drum Capacity	
	lbf	kgf	kN	ft/min	m/min	ft	m
1	18000	8165	80.1	18.5	5.6	20	6.1
2	14727	6680	65.5	22.2	6.8	45	13.7
3	12462	5653	55.4	26.7	8.1	75	22.9

* Never exceed the Rated Pulling Force. Installation of a Rated Capacity Limiter is recommended.

First Layer Performance

Line Load		Current Draw	Line Speed		Duty Cycle
lbf	kgf	Amps	ft/min	m/min	min/10min
0	0	58.1	18.5	5.6	4.3
3000	1361	104.0	11.0	3.4	2.0
6000	2722	137.8	8.6	2.6	1.5
9000	4082	169.4	7.1	2.2	1.2
12000	5443	209.7	6.0	1.8	0.9
15000	6804	253.2	4.9	1.5	0.7
18000	8165	278.2	4.6	1.4	0.7



WARN INDUSTRIES, INC
Industrial Products

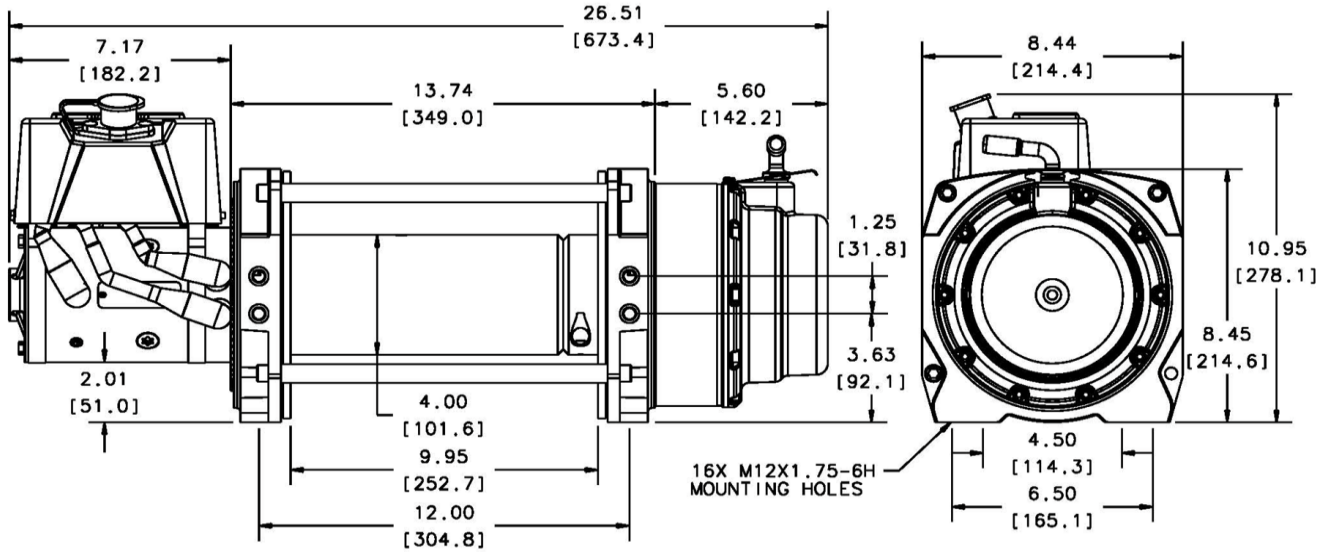
Customer Service (North America): 1.800.543.9276
Customer Service (International): 1.503.722.3008
FAX: 1.503.722.3000 www.warn.com

12900 S.E. Capps Road,
Clackamas, OR USA 97015



WARN Industrial Winch

Model	Part Number	Motor Type
Series 18-A-2D Electric Winch Manual Clutch	72005	DC Electric 24 Volt Series Wound



Motor / Contactor may be rotated in 90 degree increments. Clutch housing may be rotated in 72 degree increments.

Units are given in inches [millimeters], unless otherwise specified

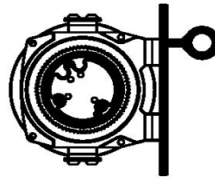
Recommended Mounting- Always Observe Correct Drum Rotation

Electrical System Specifications

Pull from bottom of winch

Pull from bottom of winch

Pull from top of winch



Feet down

Feet forward

Feet forward

Pull from top of winch

Pull from top of winch

Pull from top of winch



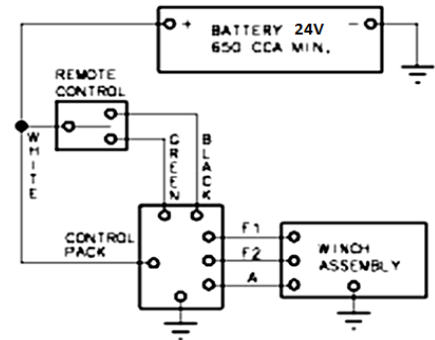
Feet down without angle brace

Feet down with angle brace

Angle Braces Only

- 650 CCA Battery Minimum
- See Electrical Cable Gauge Size Chart for cable sizing
- All electrical connections must be clean and tight

Electrical System Wiring Schematic



Notes:

WARN INDUSTRIES, INC
Industrial Products

Customer Service (North America): 1.800.543.9276
Customer Service (International): 1.503.722.3008
FAX: 1.503.722.3000 www.warn.com

12900 S.E. Capps Road,
Clackamas, OR USA 97015